



**Plunger  
Metering Pump  
Spring Return**

**RCA pump is (together with RC) a medium-size pump and is the third of the six sizes of the "R" series: RBE, RB, **RCA**, RC, RH, RM.**

**From RCA size onwards, all pumps are equipped with motors with standard connections size 71, Frame B14.**

Stroke: 15mm  
 Motor:  
 Threephase 0,37 kW - 230/400 V - 50 Hz - 4 Poles - IP55 - CL F - IEC38  
 Max flow rate: 300 L/h  
 Pump: single  
 Aluminium casing

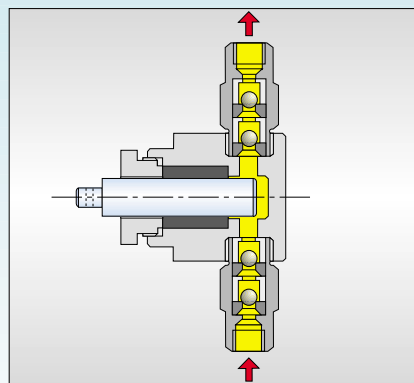
## CONSTRUCTION CHARACTERISTICS

- **Mechanism:**  
 The mechanism and the reduction gear are enclosed in an aluminium casing, with oil-bath lubrication.  
 The mechanism is of the cam/disc type, with spring return stroke, and of simple, sturdy, compact construction.  
 The head holder is made of cast iron .
- The cam is keyed on the pump shaft. Cam and disc are made of hardened steel.
- Smooth flow rate adjustment by control knob, either with pump in motion or stationary.
- 1,5 metres max suction lift.

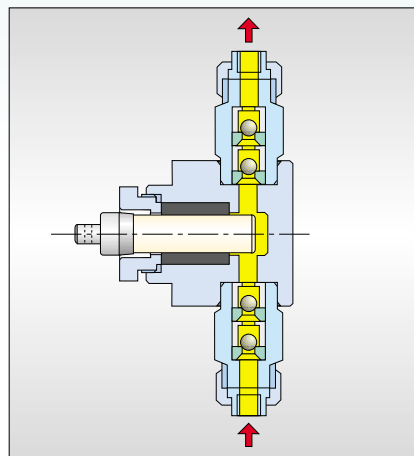
TYPE	STROKES/m	FLOW RATE L/h	MAX PRESS. bar			CONNECTIONS			
			A	A TL	P	THREADED		FLANGED	
						AISI	PVC	UNI	ANSI
RCA 6	50	0,8							
	70	1,2		40	10	1/4"	1/4"	15	15
	95	1,8				g.f./BSPF	g.f./BSPF		
	115	2,2							
RCA 10	36	2	10	40	10				
	50	3							
	70	4						15	15
	95	5,5	10	40	10	3/8"	1/4"		
RCA 16	115	7				g.f./BSPF	g.f./BSPF		
	36	5							
	50	7							
	70	11	10	40	10	3/8"	3/8"	15	15
RCA 25	95	15				g.f./BSPF	g.f./BSPF		
	115	18							
	36	15		40					
	50	20		40					
RCA 30	70	30	10	40	10	3/8"	3/8"	15	15
	95	38		35		g.f./BSPF	g.f./BSPF		
	115	45		30					
	36	20		40					
RCA 43	50	30		40					
	70	40	10	35	10	3/8"	3/8"	15	15
	95	55		26		g.f./BSPF	g.f./BSPF		
	115	65		22					
RCA 50	36	40		12					
	50	55		12					
	70	90	10	12	10	1/2"	1/2"	15	15
	95	115		12		g.f./BSPF	g.f./BSPF		
RCA 62	115	150		-					
	36	58	10		10				
	50	80			10				
	70	10			10	1/2"	1/2"	15	15
RCA 62	95	160		9		g.f./BSPF	g.f./BSPF		
	115	200		8					
	36	90	10		10				
	50	125			10				
RCA 62	70	175	8	8		3/4"	1/2"	20	15
	95	250		6		g.f./BSPF	g.f./BSPF		
	115	300		5					

## PUMPS HEADS

- Execution with single ball and double ball valves.
- Plunger seal rings are of the automatic type, with "V" section, and made of reinforced teflon. The compression of the seal rings is obtained by means of the packing gland.
- Suction and discharge connections normally threaded; on request, flanged.
- The standard materials are listed in the table. Executions in special materials can be supplied on request.
- Minimum NPSH required: 8,5 m in optimum installation conditions.
- Max. temperature of metered liquid:
  - with stainless steel heads: 90°C.
  - with stainless steel heads and ceramic piston: 90°C.
  - with PVC heads: 40°C
  - with PVDF heads: 70°C.

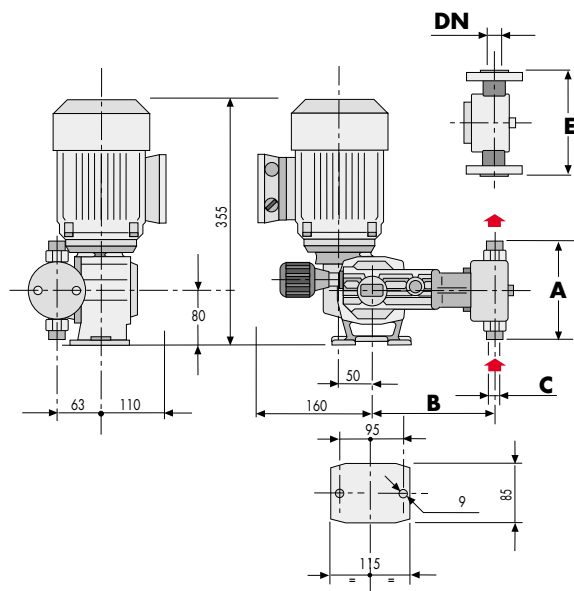


Inox steel head.  
"A" execution.  
Threaded connections.



PVC head.  
"P" execution.  
Threaded connections.

## OVERALL DIMENSIONS



TYPE	AISI 316L					PVC					PVDF					DN		
	A	Adv	B	Btl	C	E	Edv	A	Adv	B	C	E	Edv	A	B	C	E	UNI
RCA 6	-	159	173	173	1/4" g./BSPP	125	135	-	213	174	-	160	180	190	-	180	15	15
RCA 10	-	159	173	195	1/2" g./BSPP	125	135	-	213	174	-	160	180	190	-	180	15	15
RCA 16	121	159	173	195	3/8" g.t./BSPP	125	135	184	213	174	160	160	186	190	186	186	15	15
RCA 25	121	159	173	195	3/8" g.t./BSPP	125	135	184	213	174	160	160	186	190	186	186	15	15
RCA 30	121	159	176	195	3/8" g.t./BSPP	125	135	184	213	174	160	160	186	190	186	186	15	15
RCA 43	146	162	176	195	1/2" g./BSPP	150	188	230	230	177	192	192	196	190	196	196	15	15
RCA 50	156	210	180	-	1/2" g./BSPP	160	198	245	-	190	205	-	196	190	204	204	15	15
RCA 62	195	-	202	-	3/4" g./BSPP	195	-	270	-	205	230	-	210	210	230	230	20	15

## MODEL NUMBER

MODEL NUMBER		KEY TO SYMBOLS
RCA 25 A 70 TL FA Z		<p><b>PUMP TYPE</b></p> <ul style="list-style-type: none"> <li>Ø PLUNGER</li> <li>A AISI-316L VERSION</li> <li>P PVC VERSION</li> </ul> <p><b>STROKES PER MINUTE</b></p> <ul style="list-style-type: none"> <li>Z9 ELECTRIC ACTUATOR 4÷20 mA</li> <li>W 3÷15 PSI PNEUMATIC ACTUATOR</li> <li>F UNI-DIN FLANGED CONNECTIONS</li> <li>FA ANSI FLANGED CONNECTIONS</li> <li>... = 0 ÷ 10 BAR VERSION (NO NEED OF MODEL NO.)</li> <li>TL = 10 ÷ 40 BAR</li> </ul>

Pump type RCA with PVC head.  
Threaded connections.



## MATERIALS OF CONSTRUCTION

PARTS	A-ATL	P	AC	ACV	H
HEAD BODY	AISI-316L	PVC	AISI-316L	AISI-316L	AISI-316L
PLUNGER	AISI-316L	CERAMIC	CERAMIC	CERAMIC	CERAMIC
PACKING	PTFE	PTFE	PTFE	VULKOLLAN	PTFE
VALVE SEAT	AISI-316L	PVC	AISI-316L	AISI-316L	INCOLOY825
VALVE	AISI-316L	PIREX/PYREX	AISI-316L	AISI-316L	CARPENTER 20
VALVE SEAL	FPM	FPM	FPM	FPM	FPM