

## TECHNICAL DATA

### Plunger Metering Pump Spring Return



- RBB series plunger metering pump with **AISI 316L** pump head.
- Chevron **PTFE** rings plunger packing with gland nut. **300l/h** max flow rate.

- Flow rates:** ● Max flow rate **300 L/h.**
- Motors:** ● Threephase special  
- 0.20 / 0.30 kW -  
4 Poles - IP55 - I.C.L.F - S1 - IEC 34-1
- |                       |
|-----------------------|
| Δ - 230 V - 50 Hz     |
| λ - 400 V - 50 Hz     |
| Δ - 220±290 V - 60 Hz |
| λ - 380±500 V - 60 Hz |
- Singlephase special  
- 0.24 kW - 4 Poles  
- IP55 - I.C.L.F - S1 - IEC 34-1
- |                   |
|-------------------|
| 220÷240 V - 50 Hz |
| 110÷115 V - 50 Hz |
| 220÷230 V - 60 Hz |
| 110÷115 V - 60 Hz |
- Pump:** ● Single unit
- Adjustment:** ● 0-10 scale micrometer knob
- Material:** ● Aluminium casing  
● PTFE coated cast iron lantern ring
- Stroke:** ● 15 mm.
- Weight:** ● 15±30 Kgs

### 50 Hz

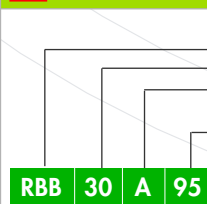
TYPE	STROKES /	MAX FLOW RATE l/h	MAX PRESSURE BAR			MOTOR kW		THREADED CONNECTIONS	
			A	ATL	P	3PH	1PH	A-ATL	P
RBB6	50	0,8	-	40	10	0.20	0.24	1/4" g.f. BSPF	
RBB6	70	1,2	-	40	10	0.20	0.24	1/4" g.f. BSPF	
RBB6	95	1,8	-	40	10	0.20	0.24	1/4" g.f. BSPF	
RBB6	115	2,2	-	40	10	0.20	0.24	1/4" g.f. BSPF	
RBB10	36	2	10	40	10	0.20	0.24	1/4" g.f. BSPF	
RBB10	50	3	10	40	10	0.20	0.24	1/4" g.f. BSPF	
RBB10	70	4	10	40	10	0.20	0.24	3/8" g.f. BSPF	1/4" g.f. BSPF
RBB10	95	5,5	10	40	10	0.20	0.24	3/8" g.f. BSPF	1/4" g.f. BSPF
RBB10	115	7	10	40	10	0.20	0.24	3/8" g.f. BSPF	1/4" g.f. BSPF
RBB16	36	5	10	40	10	0.20	0.24	3/8" g.f. BSPF	
RBB16	50	7	10	40	10	0.20	0.24	3/8" g.f. BSPF	
RBB16	70	11	10	40	10	0.20	0.24	3/8" g.f. BSPF	
RBB16	95	15	10	40	10	0.20	0.24	3/8" g.f. BSPF	
RBB16	115	18	10	40	10	0.20	0.24	3/8" g.f. BSPF	
RBB25	36	15	10	30	10	0.20	0.24	3/8" g.f. BSPF	
RBB25	50	20	10	30	10	0.20	0.24	3/8" g.f. BSPF	
RBB25	70	30	10	30	10	0.20	0.24	3/8" g.f. BSPF	
RBB25	95	38	10	25	10	0.20	0.24	3/8" g.f. BSPF	
RBB25	115	45	10	20	10	0.20	0.24	3/8" g.f. BSPF	
RBB30	36	20	10	30	10	0.30	0.24	3/8" g.f. BSPF	
RBB30	50	30	10	30	10	0.30	0.24	3/8" g.f. BSPF	
RBB30	70	40	10	28	10	0.30	0.24	3/8" g.f. BSPF	
RBB30	95	55	10	23	10	0.30	0.24	3/8" g.f. BSPF	
RBB30	115	65	10	20	10	0.30	0.24	3/8" g.f. BSPF	
RBB43	36	40	10	12	10	0.30	0.24	3/8" g.f. BSPF	
RBB43	50	55	10	12	10	0.30	0.24	3/8" g.f. BSPF	
RBB43	70	90	10	12	10	0.30	0.24	3/8" g.f. BSPF	
RBB43	95	115	10	12	10	0.30	0.24	3/8" g.f. BSPF	
RBB43	115	150	10	10	10	0.30	0.24	1/2" g.f. BSPF	
RBB50	36	58	10	-	10	0.30	0.24	1/2" g.f. BSPF	
RBB50	50	80	10	-	10	0.30	0.24	1/2" g.f. BSPF	
RBB50	70	120	10	-	10	0.30	0.24	1/2" g.f. BSPF	
RBB50	95	160	9	-	9	0.30	0.24	1/2" g.f. BSPF	
RBB50	115	200	7	-	7	0.30	0.24	1/2" g.f. BSPF	
RBB62	36	90	7	-	7	0.30	-	3/4" g.f. BSPF	1/2" g.f. BSPF
RBB62	50	125	7	-	7	0.30	-	3/4" g.f. BSPF	1/2" g.f. BSPF
RBB62	70	175	6	-	6	0.30	-	3/4" g.f. BSPF	1/2" g.f. BSPF
RBB62	95	250	5	-	5	0.30	-	3/4" g.f. BSPF	1/2" g.f. BSPF
RBB62	115	300	4	-	4	0.30	-	3/4" g.f. BSPF	1/2" g.f. BSPF

### 60 Hz

RBB6	43	0,7	-	40	10	0.20	0.24	1/4" g.f. BSPF	
RBB6	60	1	-	40	10	0.20	0.24	1/4" g.f. BSPF	
RBB6	84	1,5	-	40	10	0.20	0.24	1/4" g.f. BSPF	
RBB6	118	2,2	-	40	10	0.20	0.24	1/4" g.f. BSPF	
RBB10	30	1,6	10	40	10	0.20	0.24	1/4" g.f. BSPF	
RBB10	43	2,5	10	40	10	0.20	0.24	1/4" g.f. BSPF	
RBB10	60	3,4	10	40	10	0.20	0.24	3/8" g.f. BSPF	1/4" g.f. BSPF
RBB10	84	4,8	10	40	10	0.20	0.24	3/8" g.f. BSPF	1/4" g.f. BSPF
RBB10	118	7	10	40	10	0.20	0.24	3/8" g.f. BSPF	1/4" g.f. BSPF
RBB16	43	6	10	40	10	0.20	0.24	3/8" g.f. BSPF	
RBB16	60	9,5	10	40	10	0.20	0.24	3/8" g.f. BSPF	
RBB16	84	13	10	40	10	0.20	0.24	3/8" g.f. BSPF	
RBB16	118	18	10	40	10	0.20	0.24	3/8" g.f. BSPF	
RBB25	43	16	10	30	10	0.20	0.24	3/8" g.f. BSPF	
RBB25	60	24	10	30	10	0.20	0.24	3/8" g.f. BSPF	
RBB25	84	33	10	27	10	0.20	0.24	3/8" g.f. BSPF	
RBB25	118	45	10	20	10	0.20	0.24	3/8" g.f. BSPF	
RBB30	43	24	10	30	10	0.30	0.24	3/8" g.f. BSPF	
RBB30	60	34	10	30	10	0.30	0.24	3/8" g.f. BSPF	
RBB30	84	48	10	25	10	0.30	0.24	3/8" g.f. BSPF	
RBB30	118	65	10	20	10	0.30	0.24	3/8" g.f. BSPF	
RBB43	43	50	10	12	10	0.30	0.24	3/8" g.f. BSPF	
RBB43	60	78	10	12	10	0.30	0.24	3/8" g.f. BSPF	
RBB43	84	100	10	12	10	0.30	0.24	3/8" g.f. BSPF	
RBB43	118	150	10	-	10	0.30	0.24	1/2" g.f. BSPF	
RBB50	43	70	10	-	10	0.30	0.24	1/2" g.f. BSPF	
RBB50	60	102	10	-	10	0.30	0.24	1/2" g.f. BSPF	
RBB50	84	140	9	-	9	0.30	0.24	1/2" g.f. BSPF	
RBB50	118	200	7	-	7	0.30	0.24	1/2" g.f. BSPF	
RBB62	43	105	7	-	7	0.30	-	3/4" g.f. BSPF	1/2" g.f. BSPF
RBB62	60	152	6	-	6	0.30	-	3/4" g.f. BSPF	1/2" g.f. BSPF
RBB62	84	205	5	-	5	0.30	-	3/4" g.f. BSPF	1/2" g.f. BSPF
RBB62	118	300	4	-	4	0.30	-	3/4" g.f. BSPF	1/2" g.f. BSPF

\* Pressure with singlephase motor decreases by 25% for sizes: RBB25-30-43ATL - RBB50 A/P.

## MODEL NUMBER



### KEY TO SYMBOLS

PUMP MODEL	
☑	PULLINGER
A	AISI-316L VERSION
P	PVC VERSION
STROKES PER MINUTE	
Z	OBL 4±20 mA ELECTRIC ACTUATOR
W	3±15 PSI PNEUMATIC ACTUATOR
F	UNI-DIN FLANGED CONNECTIONS
...	= 0 ÷ 10 BAR VERSION (NO NEED OF MODEL NO.)
TL	= 10 ÷ 40 BAR



## SECTIONAL VIEW

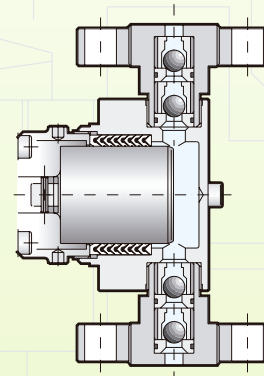
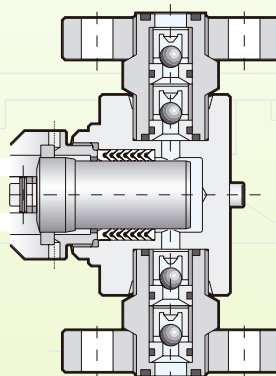
### PUMP HEADS

- Execution with single ball and double check valves.
- Chevron reinforced PTFE plunger packing, adjustable via packing gland tightening.
- Suction and discharge connections normally threaded; on demand, flanged.
- The standard materials are listed at pag. 8.
- Executions in special materials can be supplied on demand.
- Max. temperature of metered liquid:
  - with stainless steel heads: 90°C.
  - with stainless steel heads and ceramic piston: 90°C.
  - with PVC heads: 40°C - with PVDF heads: 70°C.

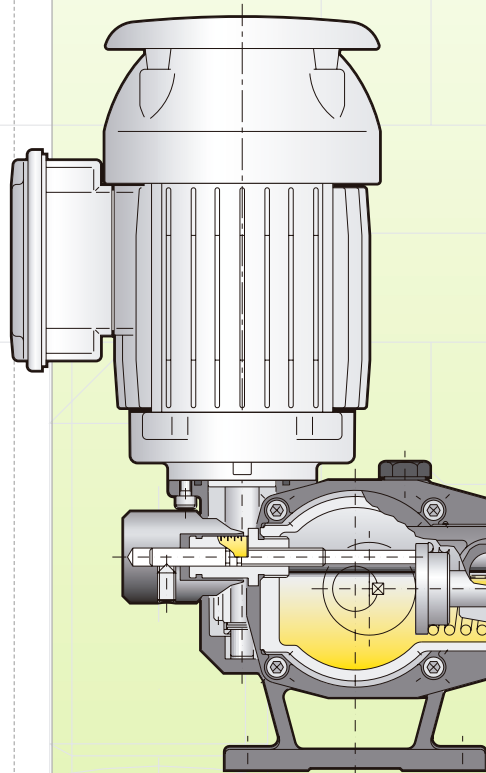
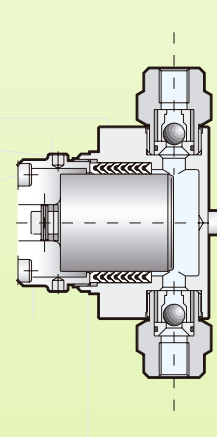
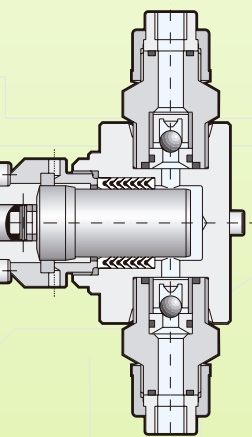
### PVC

### AISI 316L

#### FLANGED EXECUTIONS



#### THREADED EXECUTIONS



## ADJUSTMENT SYSTEMS

- **Manual:** With 0-10 scale micrometer knob.
- **Electric:** Via **OBL** designed **Z** electrical actuator.
- **Pneumatic:** Via a 3÷15 PSI. **W** pneumatic actuator.

### STANDARD MANUAL ADJUSTMENT

- Adjustment via 0-10 scale micrometer knob.

